

# MAYA CYCLE

## OWNER'S MANUAL

[www.mayacycle.com](http://www.mayacycle.com)

### Presented by Stamet Tech Incorporated

Stamet Tech Inc.  
P.O. Box #101 STN C  
Toronto, ON  
M6J 3M7  
Canada

**Email:** [info@mayacycle.com](mailto:info@mayacycle.com)

**Website:** [www.mayacycle.com](http://www.mayacycle.com)

**Toll Free Phone/Fax:** 1-800-830-0948

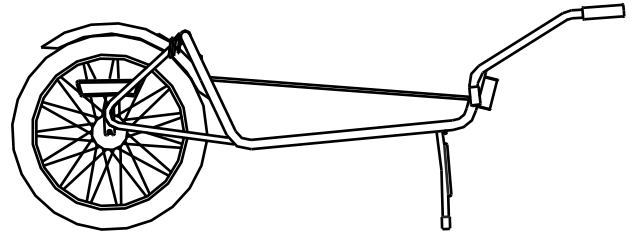
### DISCLAIMER

Information in this document (the "Owner's Manual") is being provided by Stamet Tech Inc. ("Stamet Tech"). Every effort has been made by Stamet Tech to ensure the quality, reliability, and accuracy of the information in this Owner's Manual. However, the Owner's Manual may contain inaccuracies or errors and Stamet Tech will not be responsible for any loss or damage of any kind arising because of the usage of this information. Further, upon discovery of any error or omissions, Stamet Tech may delete, add to, or amend information on this Owner's Manual without notice.

The content, information and material contained in this Owner's Manual is for general informational purposes only. If you are seeking advice on any matters relating to information on our product, you should, where appropriate, contact Stamet Tech at [info@mayacycle.com](mailto:info@mayacycle.com) directly with your specific query.



Stamet Tech Inc. would like to thank you for purchasing our universal single-wheel bicycle cargo trailer, the Maya Cycle. The Maya Cycle trailer will serve your needs to conveniently transport cargo by pulling it behind your bicycle and by easily converting into the Maya Cycle wheelbarrow when desired, allowing you to carry your cargo easily to where you want it.

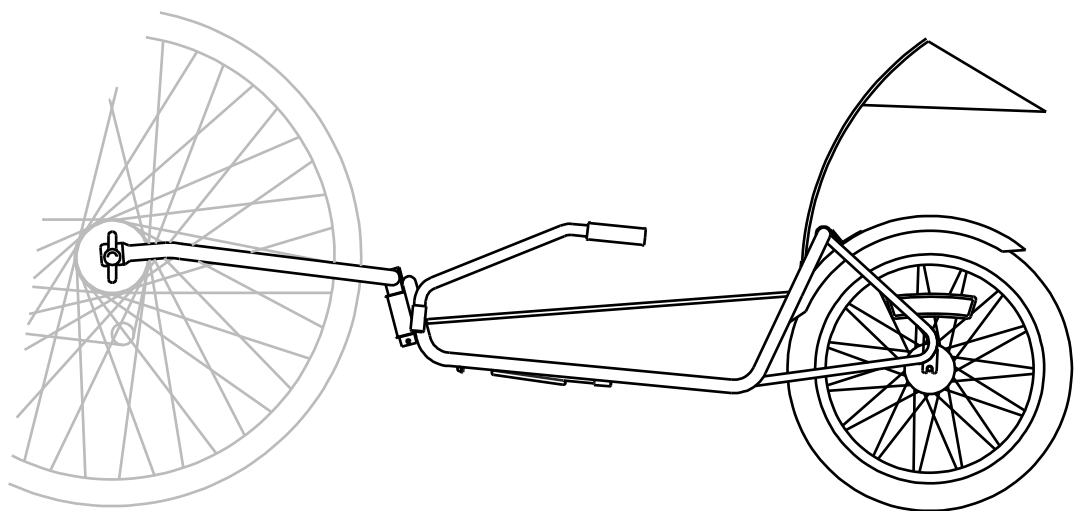


Maya Cycle is designed for transporting cargo of up to 30 kg (66 lbs). Maya Cycle is NOT designed or intended for the purpose of transporting children or animals. Doing so may cause serious injury to both the cyclist and passenger(s).

Please read the following instructions carefully. If you have any questions regarding assembly, please contact your dealer or Stamet Tech Inc.

#### WARNINGS

- Maya Cycle is designed to carry cargo ONLY
- DO NOT PUT CHILDREN OR ANIMALS IN THE TRAILER AT ANY TIME
- Cargo Capacity is 30 kg (66 lbs)
- The heavier your cargo load, the more it will affect your riding capability
- The standard adaptors are designed for bicycles equipped with 3/8" x 26 inch threads at the rear axle. Adaptors with a thread of M10 x 1 are available at [www.mayacycle.com](http://www.mayacycle.com)
- The elastic straps are used to secure cargo to the frame
- The Maya Cycle flag is designed to safely show other vehicles and pedestrians that your bicycle is towing an attachment behind you
- The wheel reflector, trailer safety reflector and the reflective strip on the bag assist with night visibility



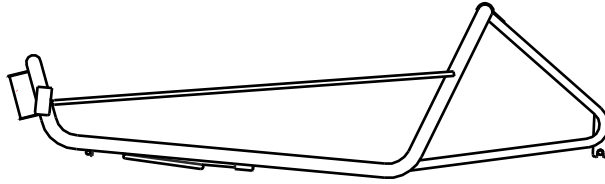
## Table of Contents

Step 1: Check for all parts in the box:.....	4
Tools needed for assembly.....	5
Step 2: Putting Maya Cycle together .....	6
Figure 1 Maya Cycle trailer, wheel and fender attachment .....	6
Step 3: Replacing the standard bicycle rear-axle nuts with Maya Cycle standard adaptors .....	6
Figure 2 Maya Cycle standard adaptor assembly .....	7
Figure 3 Manual adjustment of the fork’s width .....	7
Figure 4 Attaching the Maya Cycle fork to the standard adaptors.....	8
Figure 5 Check that the lock wing nuts remain stationary .....	8
Step 4: Attaching the fork to the Maya Cycle Trailer .....	9
Figure 6 Attaching Maya Cycle trailer to the fork with the kickstand up .....	9
Figure 7 Attaching Maya Cycle trailer to the fork with kickstand down.....	9
Figure 8 Inserting welded ring and lynch pin.....	10
Step 5: Wheelbarrow Handlebar and Flag Assembly .....	10
Figure 9 Inserting handlebars .....	10
Figure 10 Completely assembled Maya Cycle trailer .....	10
Conversion into Wheelbarrow Instructions .....	11
Figure 11 Rotating of handlebars.....	11
Figure 12 Trailer in wheelbarrow mode .....	11
Some Dimensions to Consider.....	11
Figure 13 26” vs. 700c wheel and trailer .....	11
Suggested Maintenance Schedule.....	12
Specifications.....	12
Disclaimer of Warranties – Owner’s Manual.....	13

## Maya Cycle Bicycle Trailer Assembly Instructions

### Step 1: Check for all parts in the box:

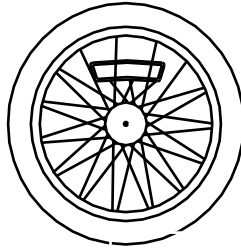
- Trailer – 1 pc



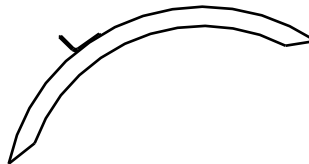
- Fork – 1 pc



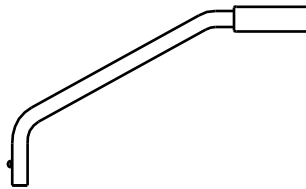
- 16" Wheel – 1 pc



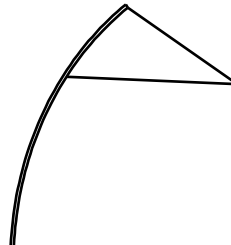
- Fender with bolt & nut – 1 pc



- Handlebar set – 2 pcs



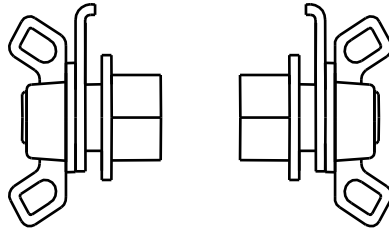
- Safety flag – 3 pcs (2 piece post, 1 flag)



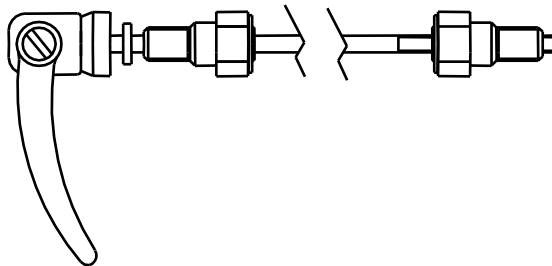
- Safety Reflector & nut – 1 pc



- Maya Cycle standard adaptor set (adaptor, steel washers, axle bracket, lock wing nut) – 2 pcs



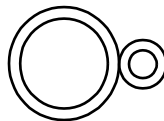
- Quick release set (adaptor sleeve, adaptor nut, skewer, steel washers – note that steel washer x4, axle bracket x2 and lock wing nut x2 are included in the Maya Cycle standard adaptor set) – 1 pc



- Elastic straps – 2 pcs



- Welded ring – 1 pc



- Lynch pin – 1 pc



### Tools needed for assembly

- Philips Screwdriver
- 6" – 150 mm Crescent/Adjustable Wrench

## Step 2: Putting Maya Cycle together

Attach the wheel, fender and safety reflector to the Maya Cycle trailer as shown in Figure 1. Use the nuts, bolts and washers provided with each part.

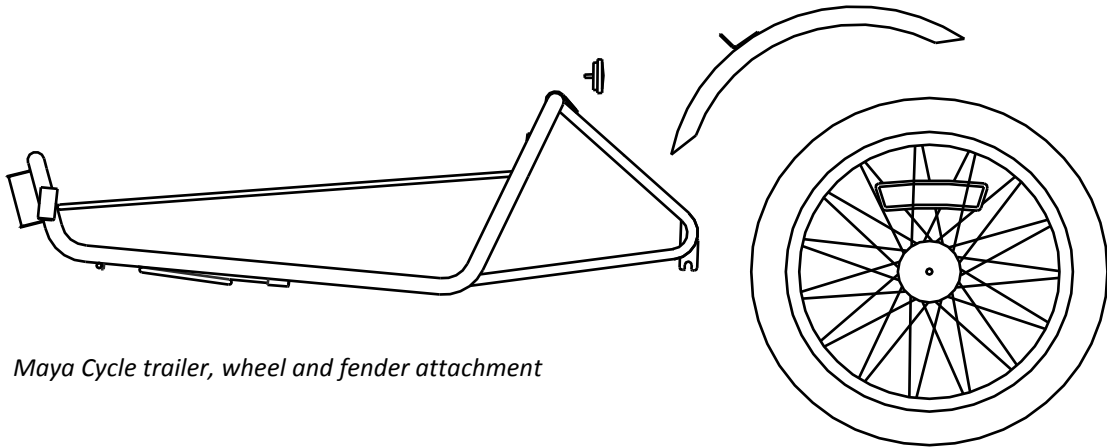


Figure 1 Maya Cycle trailer, wheel and fender attachment

## Step 3: Replacing the standard bicycle rear-axle nuts with Maya Cycle standard adaptors

NOTE: the standard adaptors are designed for bicycles equipped with 3/8" x 26 threads. Adaptors with a thread of M10 x 1 are available at [www.mayacycle.com](http://www.mayacycle.com)

- A) Remove ONLY ONE rear-axle nut from the rear axle of your bicycle, keeping the bicycle wheel in its original position. Taking the rear wheel off of a bicycle usually involves only one wrench. Most bicycles require a 15 mm wrench or socket for the rear axle nut. Replace it with the Maya Cycle standard adaptor.

NOTE that once the original bicycle rear wheel axle nut is removed, the length of the axle rod from the exterior of each fork arm to the end of the rod should not exceed 14mm. If the rod exceeds 14mm on either side, an additional washer (not supplied) needs to be placed between the bicycle rear fork arm and the Maya Cycle standard adaptors (one washer on each side). The Maya Cycle standard adaptor needs to be tight against the bicycle fork, same as the original rear-wheel axle nut.

- B) Repeat the above with the other rear-axle nut.

C) Assemble the standard adaptor components as per sequence shown in Figure 2.

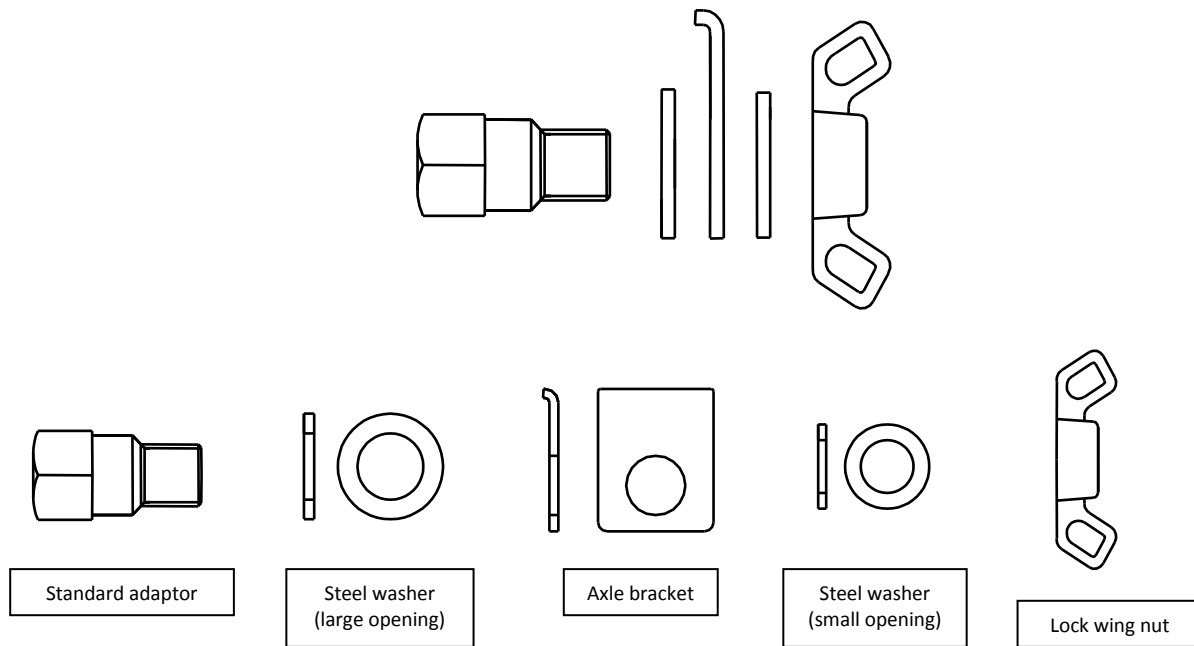


Figure 2 Maya Cycle standard adaptor assembly

D) Bicycles have different dropout spacing as measured from the outside of one rear fork arm to the other. The Maya Cycle fork fits best on bicycles where the exterior flat surfaces of the bicycles rear fork arms are between 140mm and 165mm. Adjust the fork's width as shown in Figure 3.

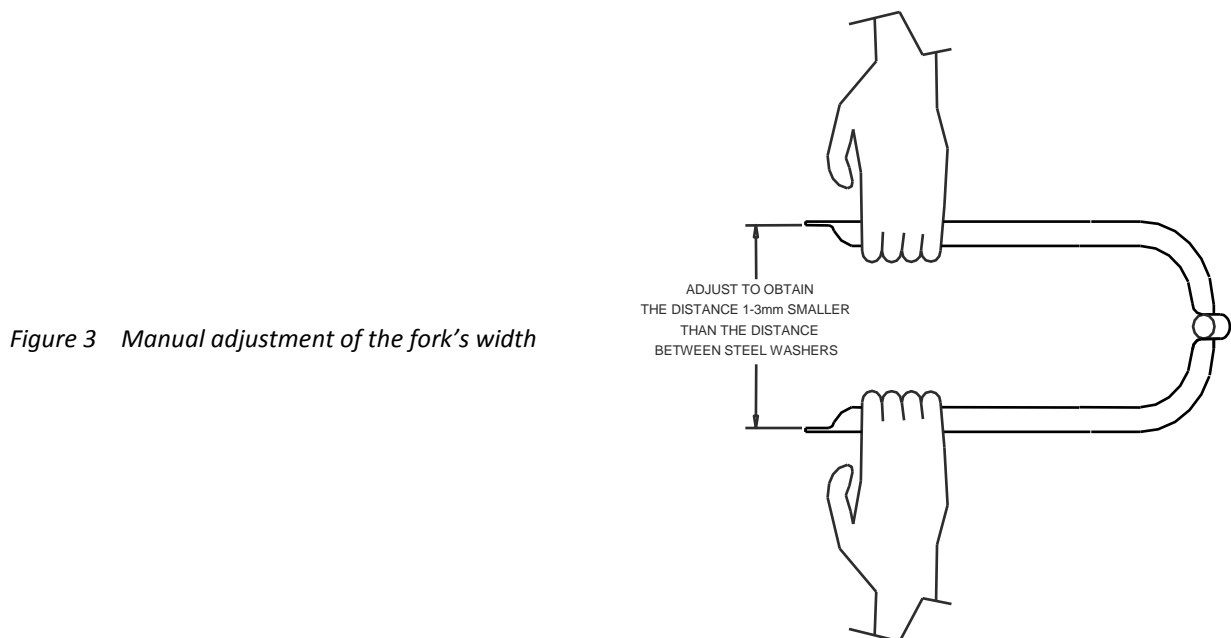


Figure 3 Manual adjustment of the fork's width

E) In order to attach the fork to the adaptors, loosen the lock wing nut a few turns. Position the trailer fork so that each fork dropout sits between the inside washer and the axle bracket. Rotate the axle bracket so that it presses the fork tightly down against the axle (Figure 4). Tighten the lock wing nut.

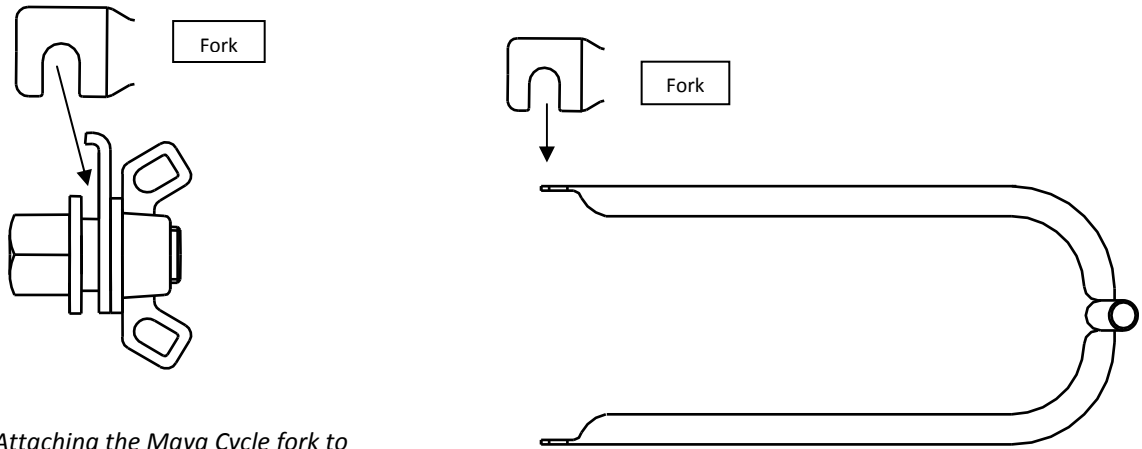
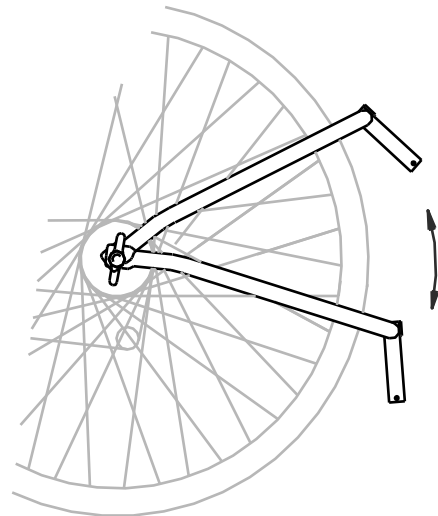


Figure 4 Attaching the Maya Cycle fork to the standard adaptors

F) Lift the fork up and down. The lock wing nuts should remain stationary while the fork moves up and down smoothly.

Figure 5 Check that the lock wing nuts remain stationary



## Step 4: Attaching the fork to the Maya Cycle Trailer

- A) Position the trailer in line with the back wheel of the bicycle.
- B) With the kickstand up and little or no cargo, stand over the back wheel of the bicycle, facing the trailer. Attach the Maya Cycle trailer to the fork by inserting the pivot tube of the fork into the trailer fork sleeve as shown in Figure 6.

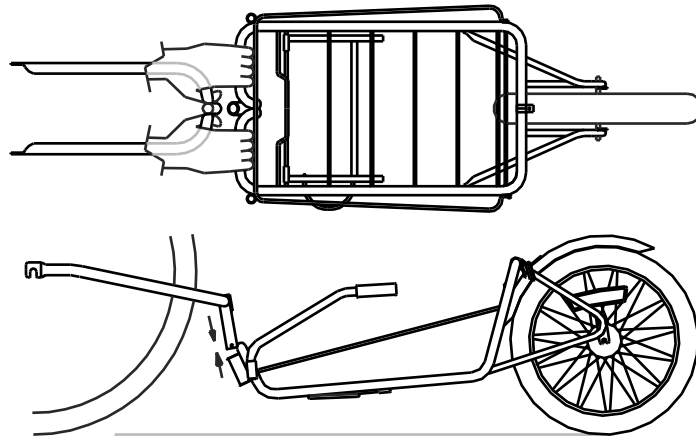


Figure 6 Attaching Maya Cycle trailer to the fork with the kickstand up

- With the kickstand down, stand over the back wheel of the bicycle, facing the trailer. Lift the back of your bicycle wheel by the sides of the fork and insert the pivot tube into the trailer fork sleeve. This method is particularly handy when the trailer is loaded with heavy cargo.

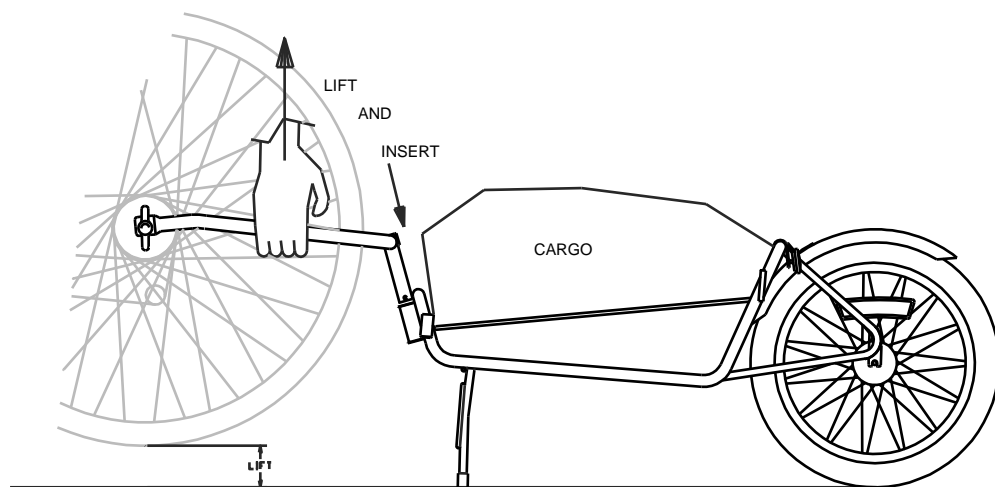


Figure 7 Attaching Maya Cycle trailer to the fork with kickstand down

- C) Slide the welded ring over the pivot tube from the bottom and lock it in place by inserting the lynch pin through both holes at the bottom of the pivot tube. Flip the ring over the bottom of the pivot tube to secure the lynch pin (Fig 8).

NOTE: to separate the trailer from the bicycle, reverse the process for attaching the trailer

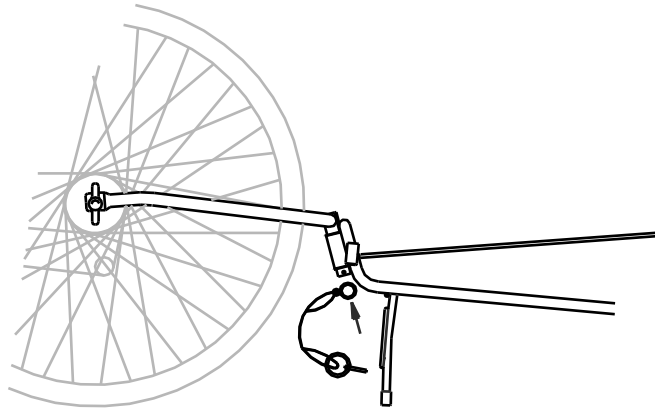


Figure 8 Inserting welded ring and lynch pin

### Step 5: Wheelbarrow Handlebar and Flag Assembly

- A) The Maya Cycle wheelbarrow handlebars have two purposes: 1) to convert the trailer into a wheelbarrow; 2) to hold the cargo/bag within the trailer frame.
- Push the spring pin in to insert and/rotate the handlebar
  - Repeat for the other handlebar

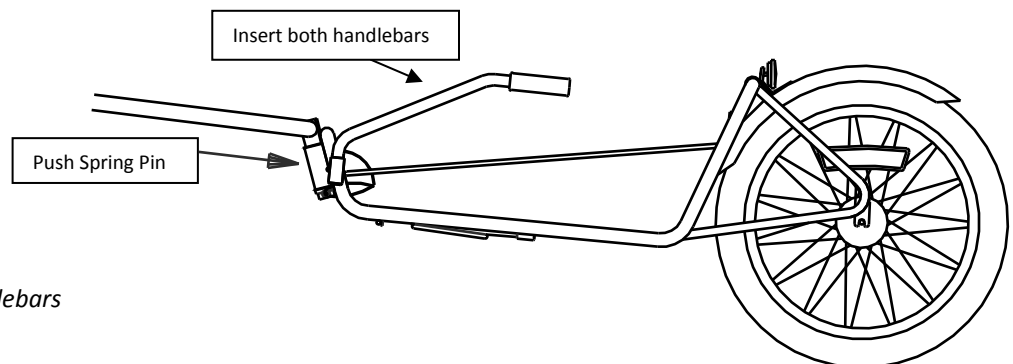


Figure 9 Inserting handlebars

- B) Assemble the two piece flag post and attach the safety flag. To better secure the flag, put a dab of glue on the post before you slide the flag on. Insert the flag into the flag bushing on the rear tube of the trailer assembly.

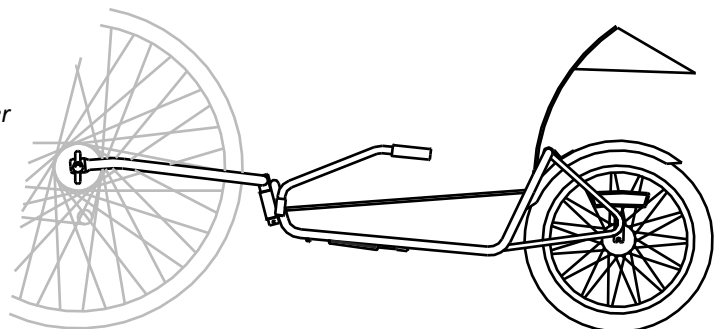


Figure 10 Completely assembled Maya Cycle trailer

## Conversion into Wheelbarrow Instructions

- Remove the trailer from the fork
- Push the spring pin and rotate the handlebar

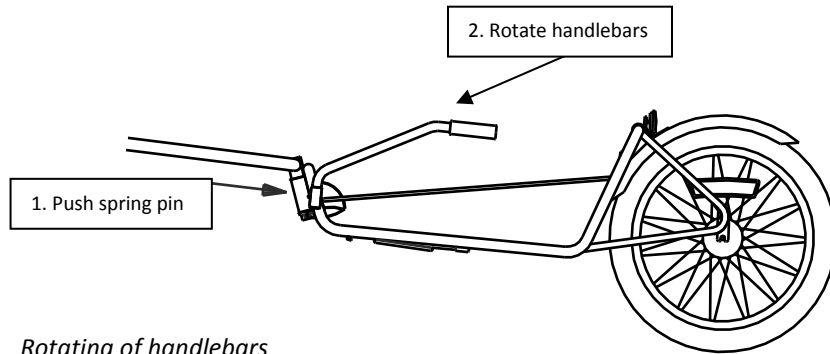


Figure 11 Rotating of handlebars

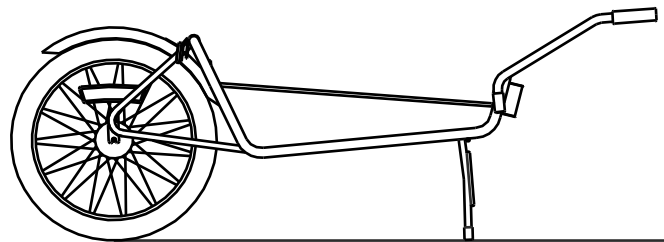
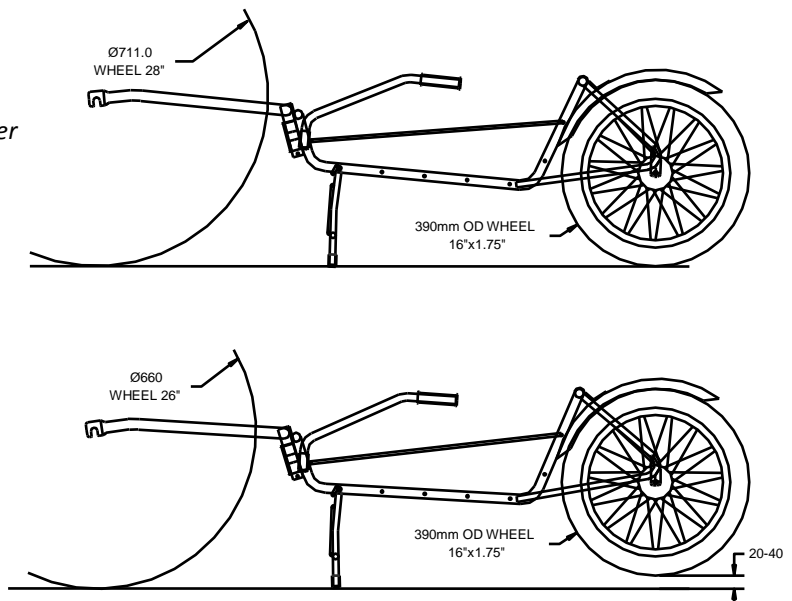


Figure 12 Trailer in wheelbarrow mode

## Some Dimensions to Consider

Note that when the Maya Cycle trailer is attached to a bicycle with wheels smaller than a 700c road bike, the trailer's wheel will be unsupported when the kickstand is down. This is normal. See dimensions below (for reference only).

Figure 13 26" vs. 700c wheel and trailer



## Suggested Maintenance Schedule

Part	Service	Period
Trailer wheel axle	Check tightness	Every ride
	Check for wear & damage	Monthly
Hub bearings	Check for smooth rotation	Monthly
	Replace*	When required/as needed
Tire	Air pressure	Every ride/weekly
	Inspect for wear & damage	Monthly
Fork/Trailer connection	Check for cleanliness in the fork pivot tube and plastic bearing in the trailer tube. Lubricate when necessary.	Every ride
Wheel	Check for trueness	As needed
Bolts/screws (light reflector bolt, fender attachment bolt, wheel spoke)	Check tightness	Weekly (or each ride)
Retaining lynch pin	Inspect for damage	Every ride
	Replace	When required/as needed
Lock wing nuts	Inspect for tightness and damage	Weekly (or each ride)
	Replace	When required/as needed
Quick Release	Check all components and QR are secure	Every ride

These periodic maintenance frequencies are suggested guidelines only. More frequent servicing may be appropriate/required if operating in wet, sandy, dusty or other extreme conditions and/or your riding style.

\*Professionally trained bicycle mechanics at local bicycle shops have the special tools and skills to perform this task.

## Specifications

Frame: ASTM 513 steel welded tube

Finish: Powder Coated

Length of trailer including wheel extended from the back of your bicycle (approximately): 1 meter

Cargo Area (approximately): Length 0.48 m X Width 0.38 m X Height 0.31 m

Total trailer weight: 5.9 kg (13 lbs)

Total wheelbarrow weight (minus the fork): 4.8 kg (10.6 lbs)

Load Capacity: 30 kg (66 lbs)

Wheel size: 16 x 1.75" Nylon wheel with aluminum rim, steel hub, solid axle

Attachment: Maya Cycle standard adaptors and quick-release

Accessories: Safety flag, reflector lights, elastic straps

## Disclaimer of Warranties – Owner’s Manual

1. Stamet Tech warrants to the original buyer of the Maya Cycle that for the warranty period (as defined below), the Maya Cycle will be free from material defects in materials and workmanship. The foregoing warranty is subject to the proper installation, operation and maintenance of the Maya Cycle in accordance with installation instructions contained in this Owner’s Manual supplied to the buyer. Excluded from the warranty are problems due to accidents, misuse, misapplication, storage damage, negligence, or modification to the Maya Cycle or its components. Warranty claims must be made by the buyer in writing within the warranty period. Stamet Tech’s sole obligation under the foregoing warranty is, at its option, to repair, replace or correct any such defect that was present at the time of delivery, or to remove the products and to refund the purchase price to the buyer. No other warranty, express or implied, is made by Stamet Tech, and none shall be imputed or presumed.
2. The “Warranty Period” begins on the date the Maya Cycle is purchased and continues for three hundred sixty five (365) calendar days.
3. Maya Cycle’s manufacturer’s Warranty includes the Maya Cycle bicycle trailer (body) and fork ONLY. Tire, flag, nuts, bolts, and any other removable parts are not included in the one year manufacturer’s warranty.
4. Any repairs under this warranty must be conducted by Stamet Tech or its authorized service representative.
5. Stamet Tech does not authorize any person or party to assume or create for it any other obligation or liability in connection with the Maya Cycle except as set forth herein.
6. Save and except for the above, Stamet Tech disclaims all warranties of any kind, whether express or implied, including, without limitation:
  - a. Any warranty of merchantability with respect to the Maya Cycle, and the buyer agrees to accept the Maya Cycle without any warranty of merchantability; or
  - b. Any warranty of fitness for any particular purpose whatsoever with respect to the Maya Cycle.